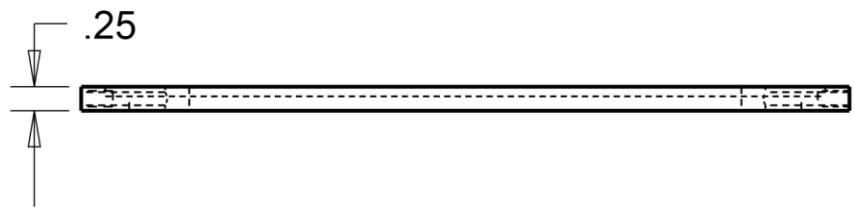
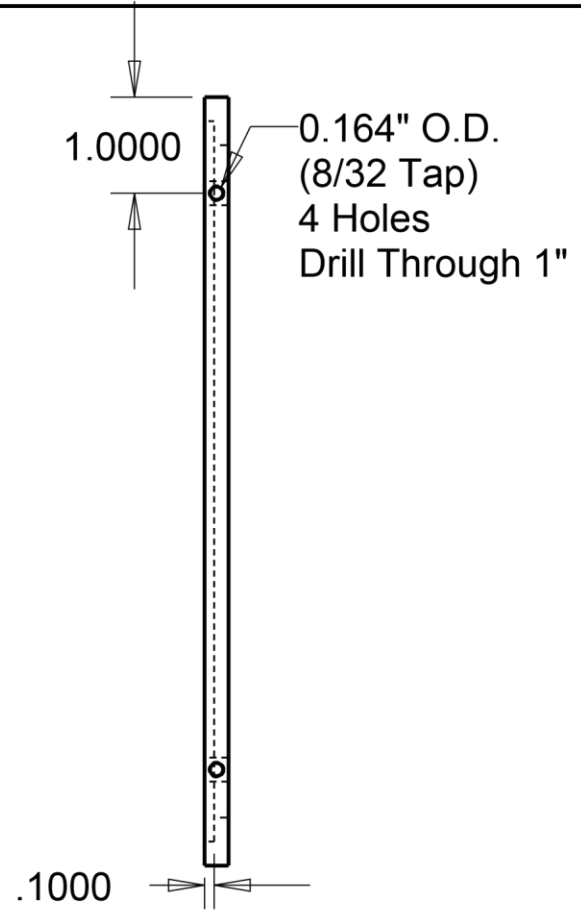
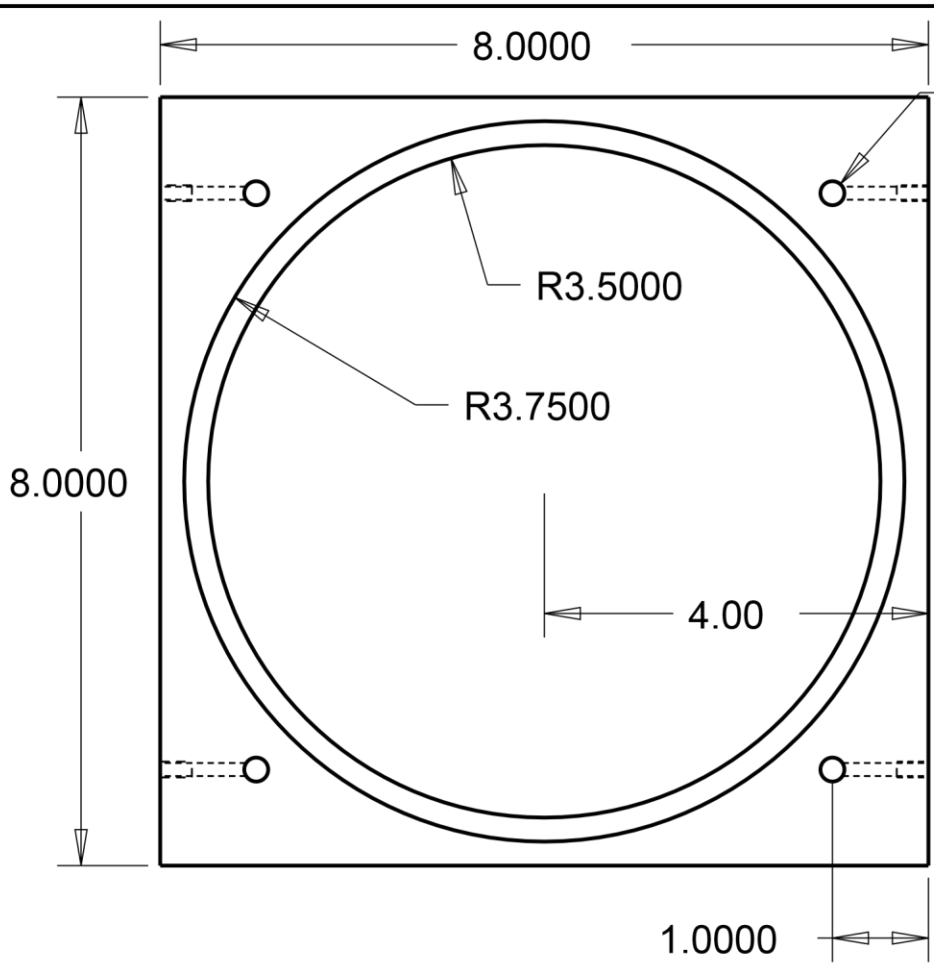


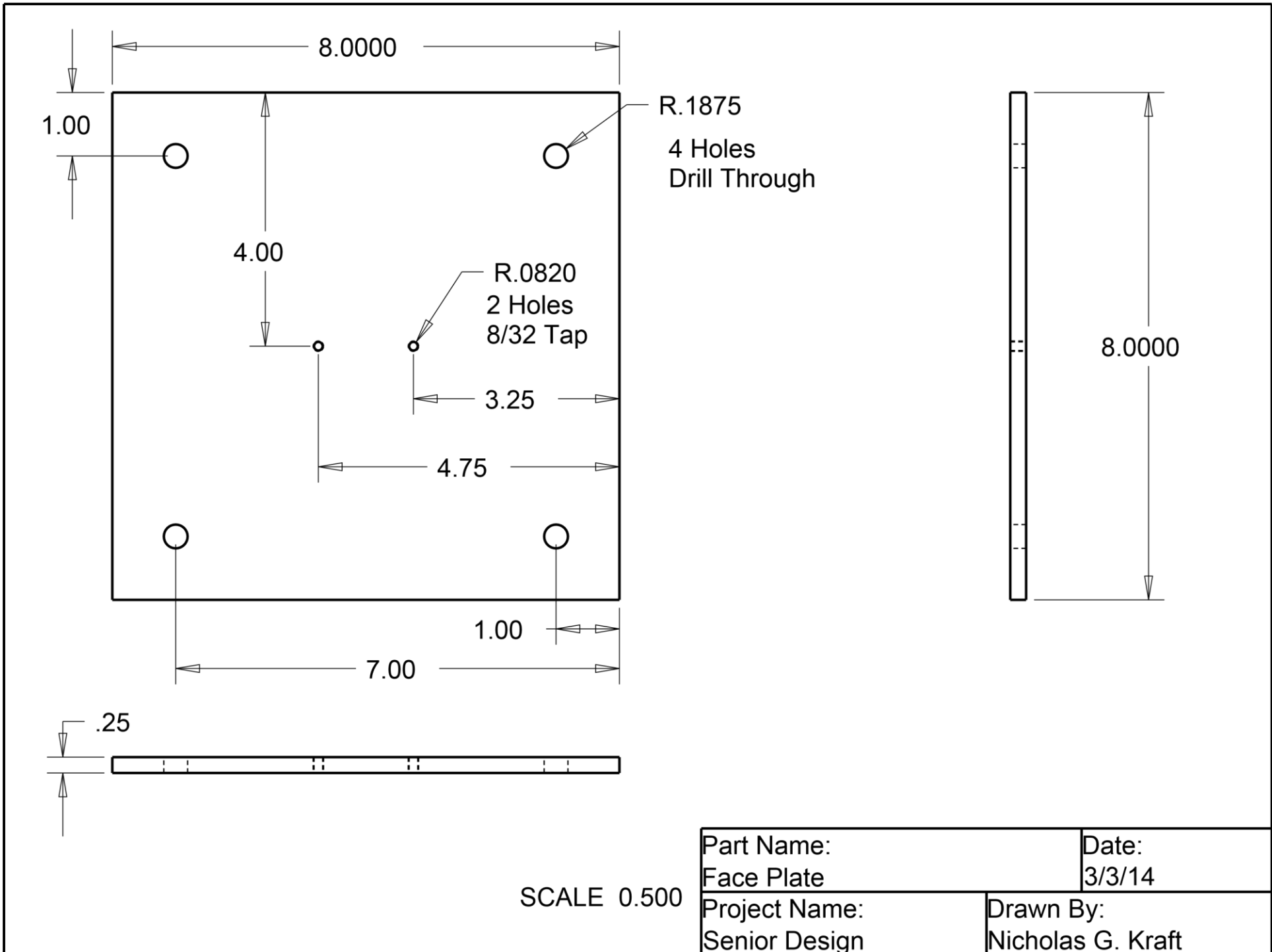
<b><u>Battery Box Gate</u></b>		
<b><u>Part Name</u></b>	<b><u>Quantity</u></b>	<b><u>Method of Acquisition</u></b>
Servo Motor	1	Purchased Online
Adapter Plate	1	Fabricated
Face Plate	1	Fabricated
Mounting Plate	1	Fabricated
Connector Link	1	Fabricated
¼" Aluminum Slider Rod	4 @ 7" each	Fabricated
¼" Aluminum Pin	1 @ 1.75"	Fabricated
Pin Mount	2	Fabricated
Slider Bearings	4	Purchased Online
Servo Motor Crank Pin	1	Purchased Locally
¼" Rubber O-Ring	1 @ 7.5" O.D. (7" I.D.)	Purchased Locally
8/32 Standard Screws	2 @ 0.41" Length	Purchased Locally
8/32 Standard Screws	8 @ 1.125" Length	Purchased Locally



SCALE 0.500

Part Name: Adapter Plate	Date: 3/3/14
Project Name: Senior Design	Drawn By: Nicholas G. Kraft

A

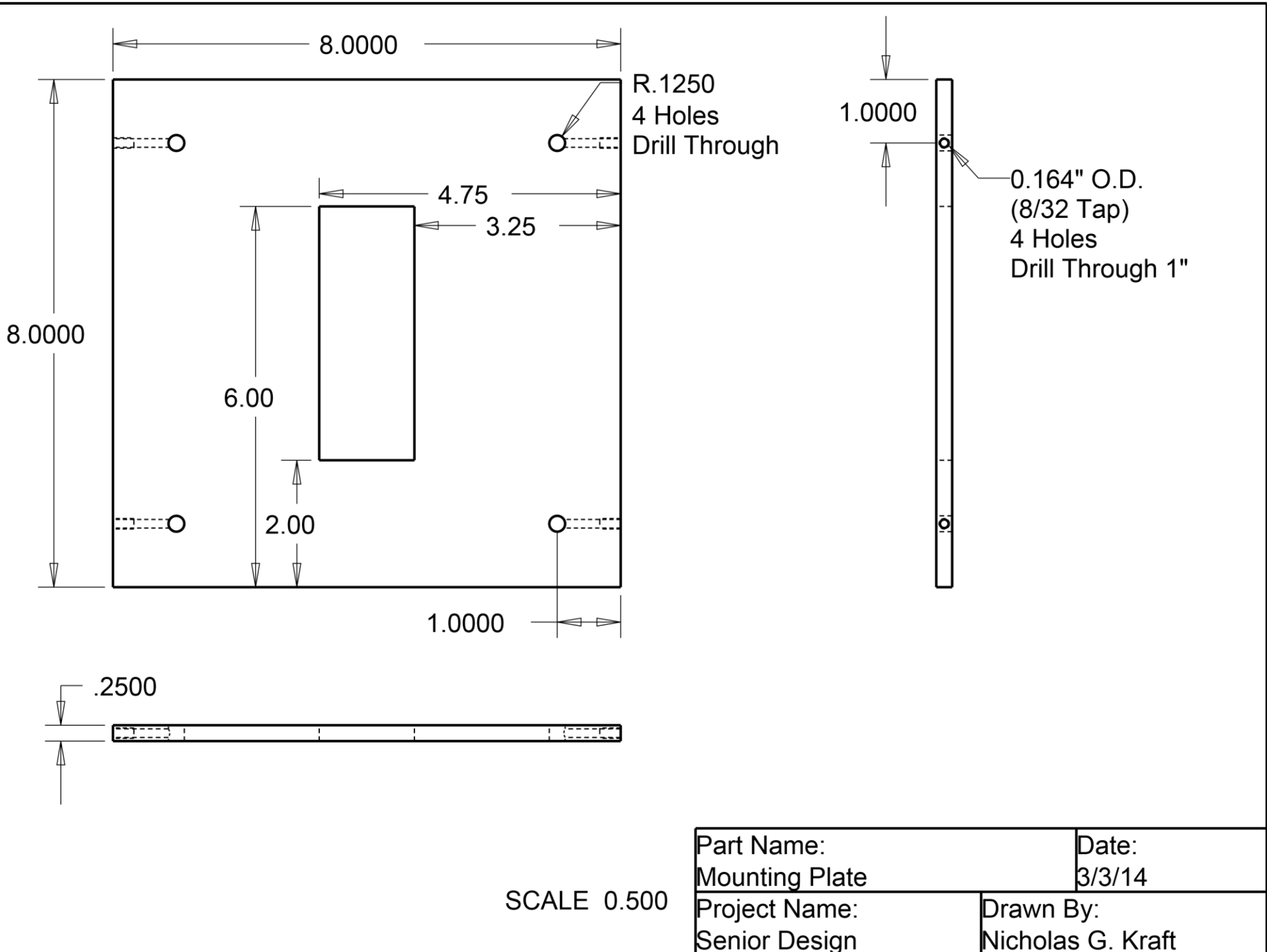


R.1875  
4 Holes  
Drill Through

R.0820  
2 Holes  
8/32 Tap

Part Name: Face Plate		Date: 3/3/14
Project Name: Senior Design		Drawn By: Nicholas G. Kraft

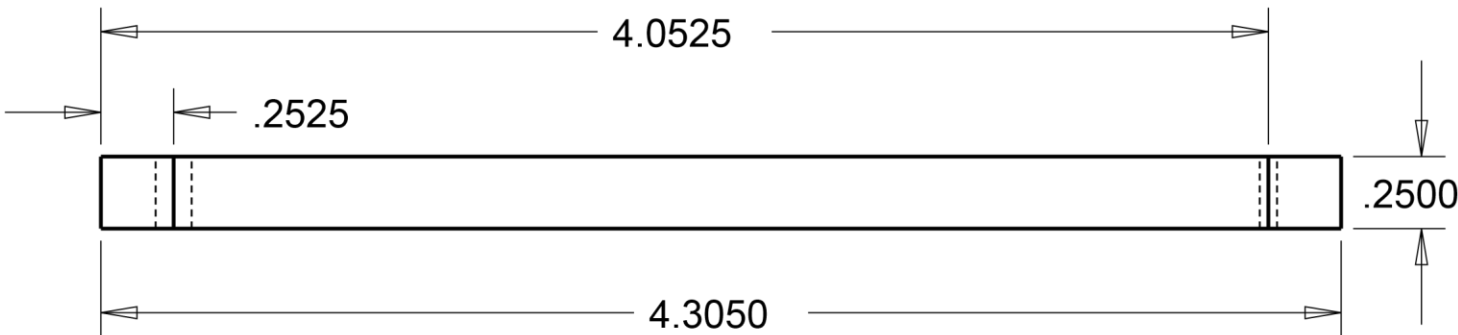
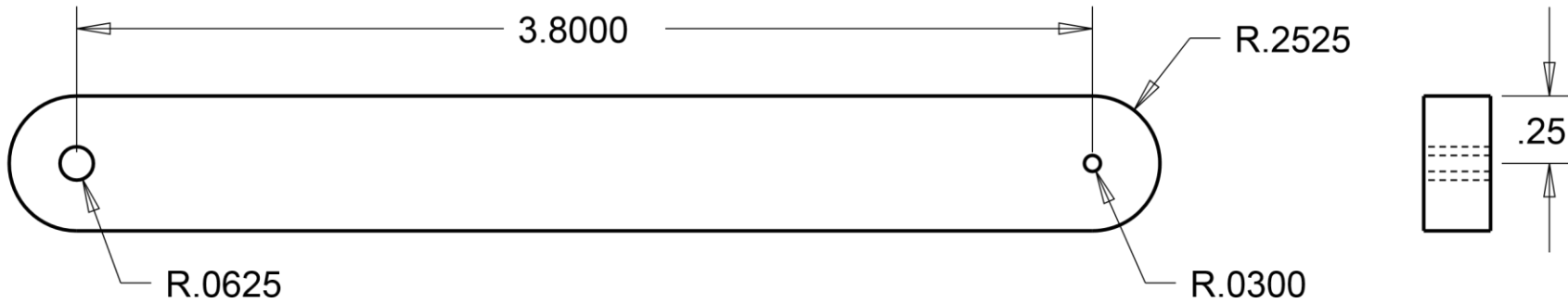
SCALE 0.500



A

SCALE 0.500

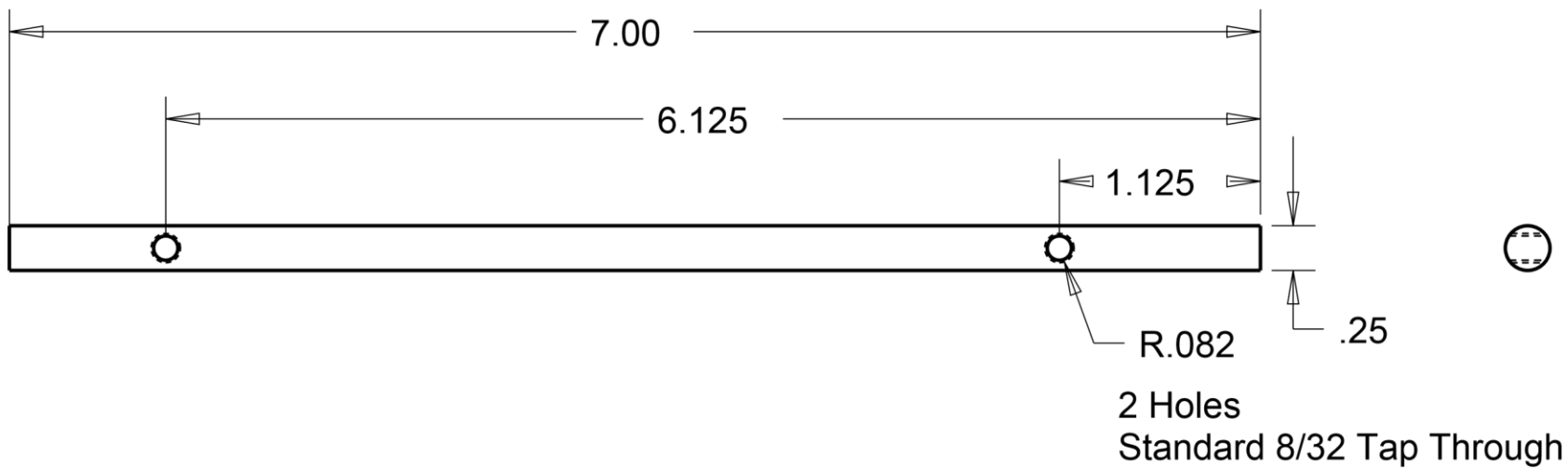
Part Name: Mounting Plate		Date: 3/3/14
Project Name: Senior Design		Drawn By: Nicholas G. Kraft



A

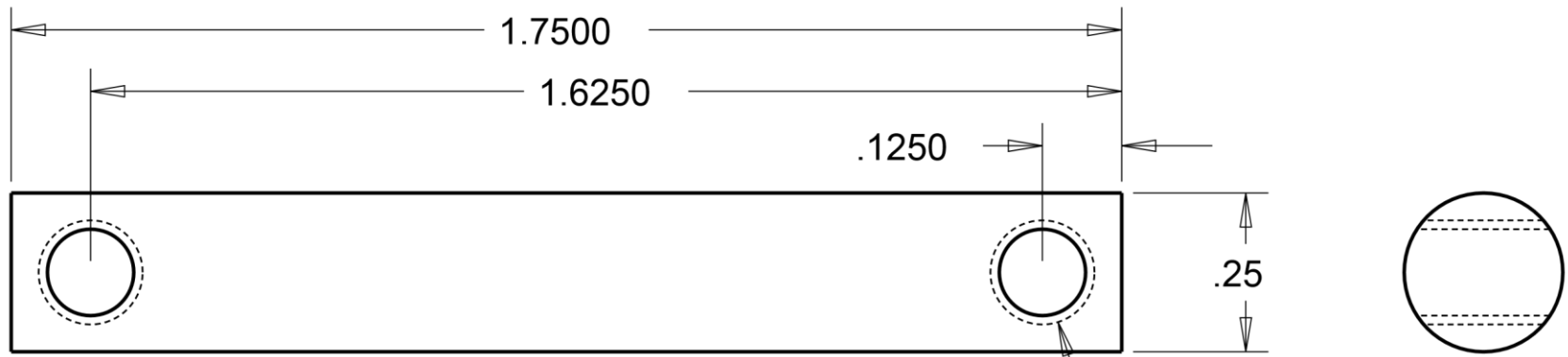
SCALE 1.500

Part Name: Connector Rod	Date: 3/3/14
Project Name: Senior Design	Drawn By: Nicholas G. Kraft



SCALE 1.000

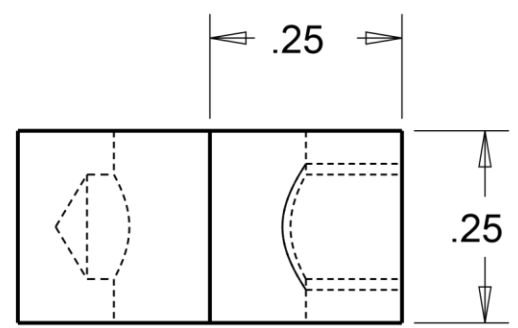
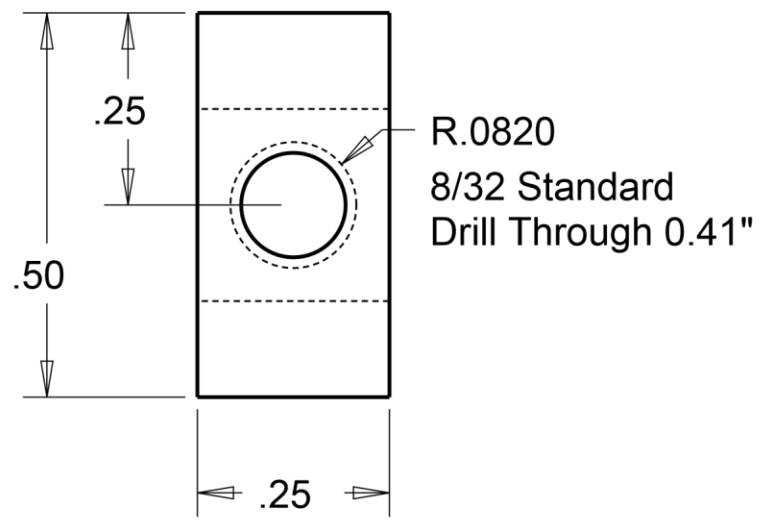
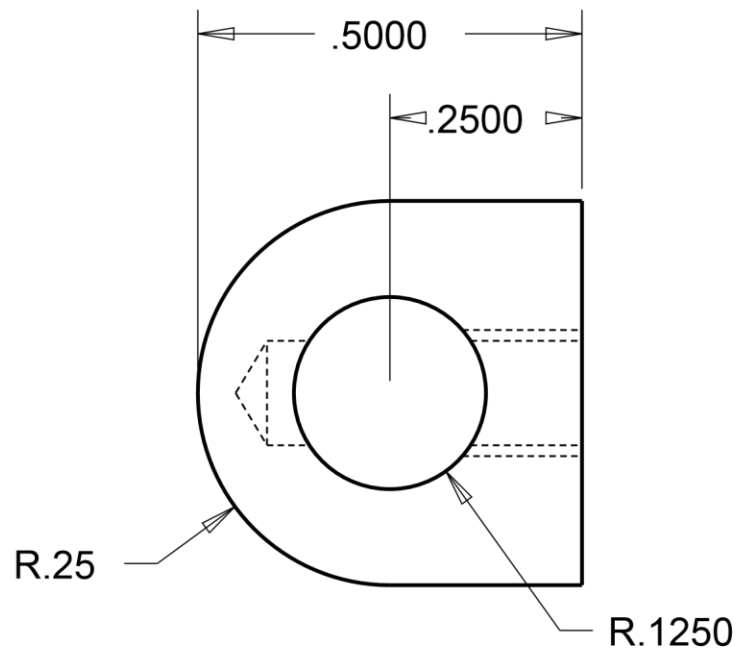
Part Name: Aluminum Rod		Date: 3/3/14
Project Name: Senior Design		Drawn By: Nicholas G. Kraft



R.0820

2 Holes  
8/32 Standard Tap

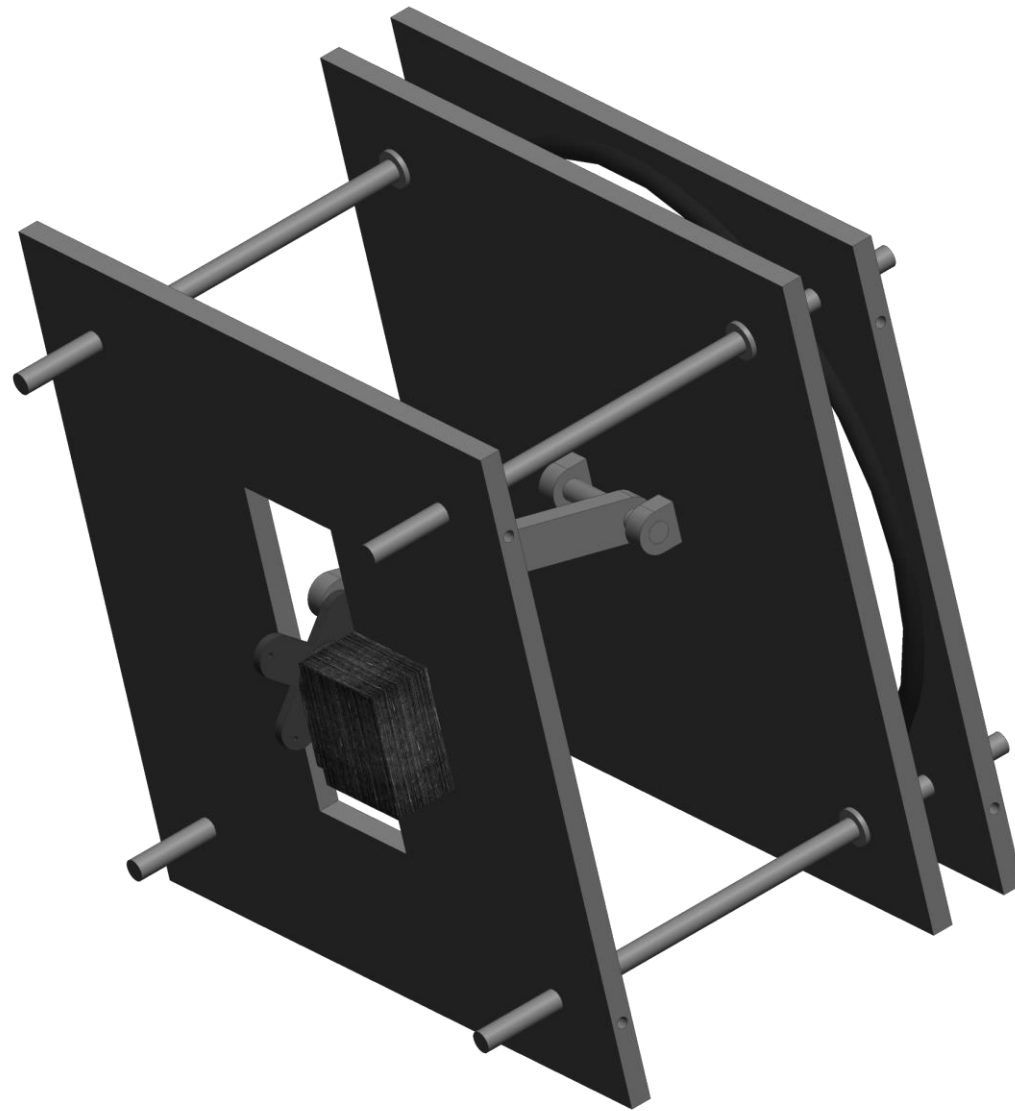
Part Name: Pin	Date: 3/3/14
Project Name: Senior Design	Drawn By: Nicholas G. Kraft



SCALE 4.000

Part Name: Pin Mount	Date: 3/3/14
Project Name: Senior Design	Drawn By: Nicholas G. Kraft





SCALE 0.500

Part Name: Battery Box Gate Asm.	Date: 3/3/14
Project Name: Senior Design	Drawn By: Nicholas G. Kraft